

# QUICK INSTALLATION GUIDE <G108-8608>

Please read the Safety Information in the "Maintenance Guide" before using this printer. It contains important information related to USER SAFETY and PREVENTING EQUIPMENT PROBLEMS.

## 1

### UNPACKING THE PRINTER AND CHECKING THE CONTENTS OF THE BOX

#### Caution

- The printer weighs approximately 31.5 kg (69.4 lb). When moving the printer, use the inset grips on both sides, and lift slowly. The printer will break or cause injury if dropped.

Check the contents of the box according to the following list. If one or some items are missing, please contact your sales or service representative.

#### Important

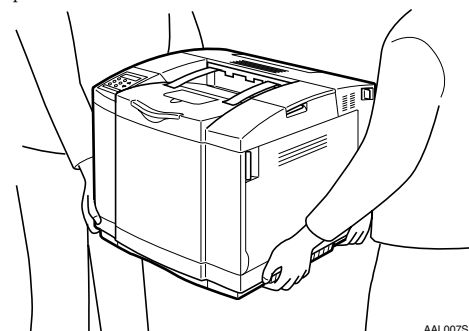
The parallel cable is not included in the box. It is your responsibility to provide the parallel cable appropriate for the computer you are using.

- Quick Installation Guide (this sheet)
- Option Setup Guide
- Maintenance Guide
- CD-ROM
- Photo Conductor Unit
- Power Cord
- Ferrite Core
- Controller Board Screwdriver
- Color Calibration Sample Sheet

Remove the plastic bag.

Lift the printer and move it to the place where you want to install it.

When lifting the printer, use the inset grips on both sides of the printer.

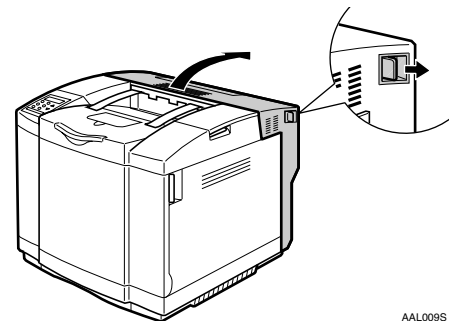


#### Important

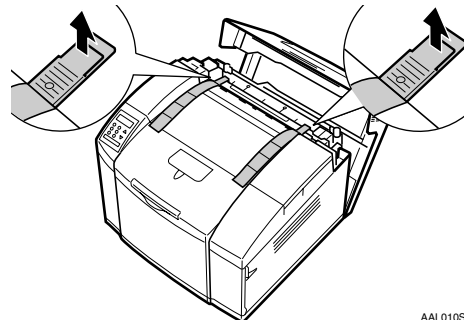
The printer should always be lifted by at least two people.

Remove all tape securing the printer's moving parts.

Pull the rear cover open lever, and then open the rear cover.



Pull out the two orange stop tags that have red cards attached to them.



#### Important

If the printer is used with any of the stop tags still attached, poor fusing will occur. Be sure to remove all of the stop tags.

Close the rear cover.

## 2

### WHERE TO PUT THE PRINTER

The printer's location should be carefully chosen because environmental conditions greatly affect its performance.

#### Warning

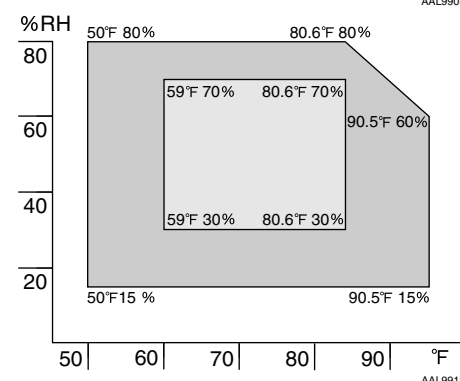
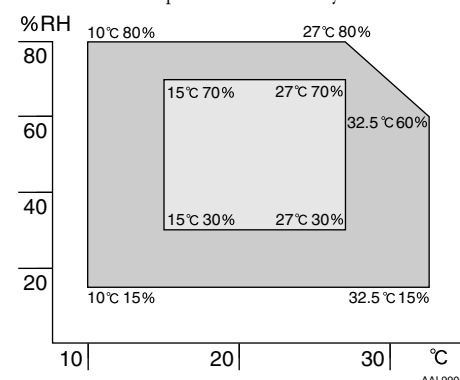
- Confirm that the wall outlet is near the printer and freely accessible, so that in event of an emergency, it can be unplugged easily.
- Only connect the printer to the power source described on this sheet.
- Avoid multi-wiring.
- Do not damage, break or make any modifications to the power cord. Do not place heavy objects on it, pull it hard or bend it more than necessary. These actions could cause an electric shock or fire.

#### Caution

- Keep the printer away from humidity and dust. A fire or an electric shock might occur.
- Place the printer on a strong and level surface. Otherwise, the printer might fall and cause personal injury.
- If you use the printer in a confined space, confirm that there is a continuous flow of air.

### 1 Optimum Environmental Conditions

Recommended temperature and humidity



Possible operation range Recommended range

The printer must be level within 5 mm, 0.2" both front to rear and left to right.

To avoid possible build-up of ozone, place this printer in a large well ventilated room that has an air turnover of more than 30 m<sup>3</sup> /hr/person.

If you use this printer in a cold area, leave the printer on or severe cold might damage sensitive components inside the printer.

### 2 Environments to Avoid

#### Important

- Locations exposed to direct sunlight or strong light
- Dusty areas
- Areas with corrosive gases
- Areas excessively cold, hot, or humid
- Locations near an air conditioner or humidifier
- Locations near other electronic equipment
- Locations where the printer might be subjected to frequent strong vibration

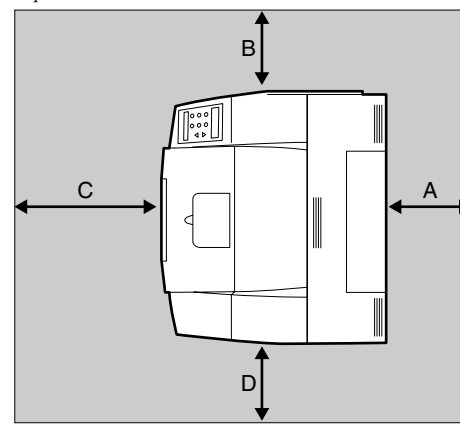
### 3 Power Connection

Connect the power cord to a power source with the following specifications:

- 120 V, 60 Hz, 11 A or more

### 4 Space Required for Installing the Printer

Leave enough space around the printer. This space is necessary to operate the printer. The recommended (or minimum) space requirement is as follows:



A: more than 25 cm (9.9") (More than 35 cm (11.9") when the AD460 (duplex unit) is attached.)

B: more than 20 cm (7.9")

C: more than 70 cm (27.6")

D: more than 50 cm (19.7")

## 3

### INSTALLING THE TONER CARTRIDGES

#### Warning

- Do not incinerate spilled toner or used toner. Toner dust might ignite when exposed to an open flame.
- Disposal can take place at our authorized dealer or at an appropriate collection site.
- If you dispose of the used toner containers yourself, dispose of them according to your local regulations.

#### Caution

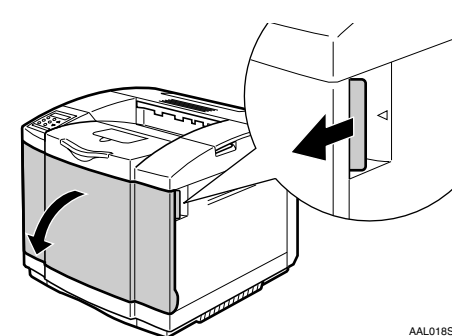
- Do not open the front cover when the paper tray is pulled out halfway. If you do, it might cause a personal injury.
- Do not eat or swallow toner.
- Keep toner (used or unused) and toner cartridges out of reach of children.
- Our products are engineered to meet the highest standards of quality and functionality. When purchasing expendable supplies, we recommend using only those provided by an authorized dealer.

#### Important

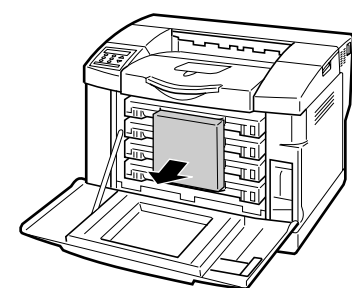
The locations for the attachment of the toner cartridges are in order from the top: black (K), yellow (Y), magenta (M), and cyan (C).

The supplied toner cartridge is inside the machine. Here, the black (K) toner cartridge is used as an example to explain the procedure of preparing a toner cartridge. Prepare other toner cartridges following the same procedure.

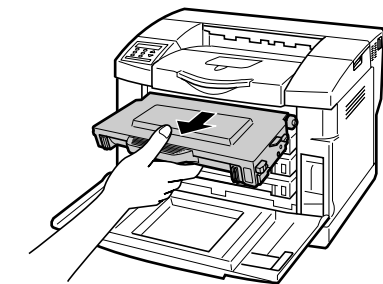
1 Pull the front cover open lever, to open the front cover.



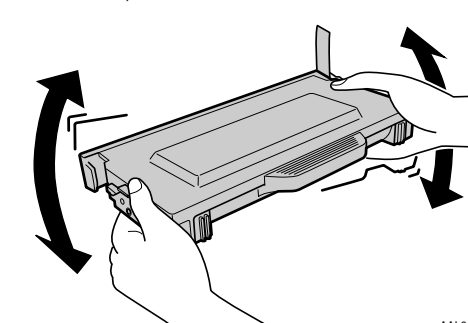
2 Remove the packing material fastening the four toner cartridges.



3 Remove the top toner cartridge (black).



4 Hold the new toner cartridge and shake it well, about 3 to 4 times, as shown in the illustration.



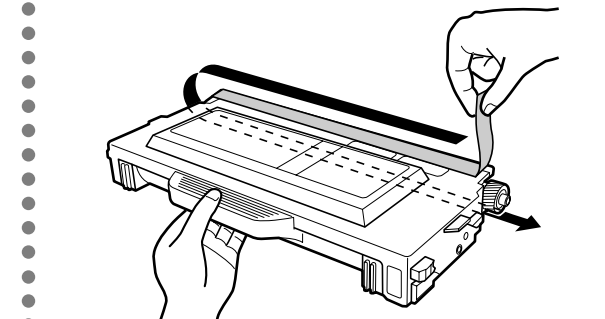
#### Important

Printing quality may decrease if the toner is unevenly distributed inside the toner cartridge.

5 Remove the protective cover. Remove the tape securing the protective cover while holding the toner cartridge as shown.

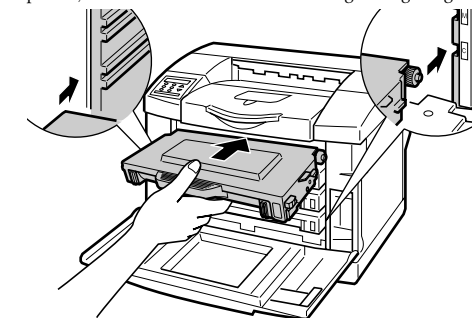
#### Important

- The tape is attached from the front to the back of the toner cartridge. Make sure to remove all of the tape.
- Do not touch the development roller which is exposed after removing the protection cover, as this may lead to a deterioration in the printing quality.
- Once the protective cover is removed, toner can spill from the cartridge easily. Take care to avoid subjecting the toner cartridge to vibration and impact after removing the protective cover.



6 Insert the new toner cartridge (black) in the same location.

With the seal side surface facing up, align it with position K on the printer, and then slide in the toner cartridge along the guide rails.

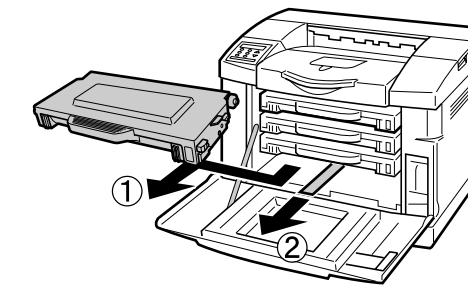


#### Important

- Do not use excessive force to slide the cartridge.
- Do not repeatedly install and remove the toner cartridges. Doing so will cause toner leakage.

7 Repeat the procedures 3 to 6 to prepare the other toner cartridges.

8 Remove the cyan toner cartridge at the bottom (1). Pull out the orange tape to remove the protective paper (2), and then install the cyan toner cartridge again.



9 Close the front cover until the center of the front cover locks securely.

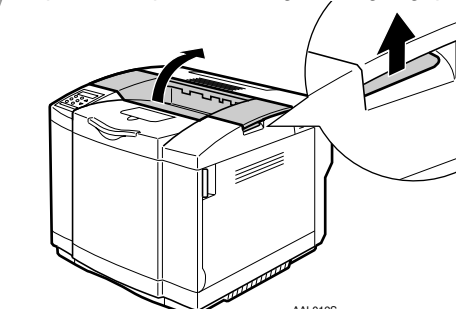
## 4

### INSTALLING THE PHOTO CONDUCTOR UNIT

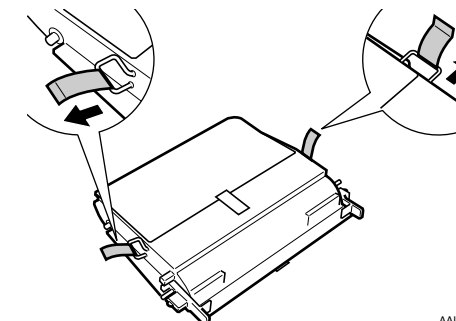
#### Important

Exposing the photo conductor unit to light for too long can reduce its performance. Replace the unit as quickly as possible.

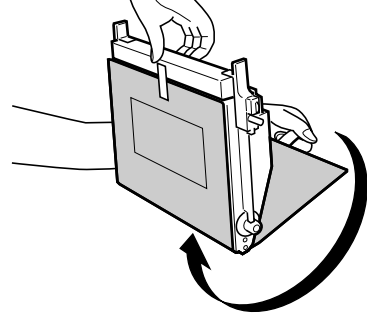
1 Open the top cover using the finger grip.



2 Remove the pins on both sides of the photo conductor unit.



- 3** Remove the protective sheet while holding onto the new photo conductor unit as shown.

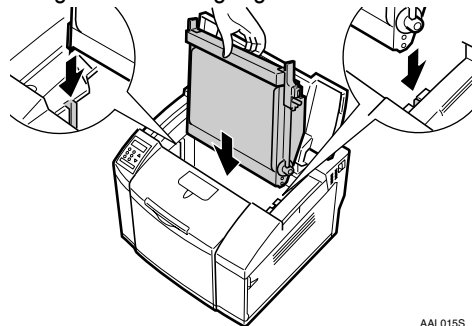


AAL014S

### Important

- Do not touch the green surface of the photo conductor unit with bare hands or gloves. This could damage the photo conductor unit and reduce the print quality.
- A white powder has been intentionally adhered to the surface of the photo conductor unit. Do not attempt to wipe it off. Removal will prevent normal printing.

- 4** From the printer's front, insert the photo conductor unit with the green side facing you using the left and right guides.

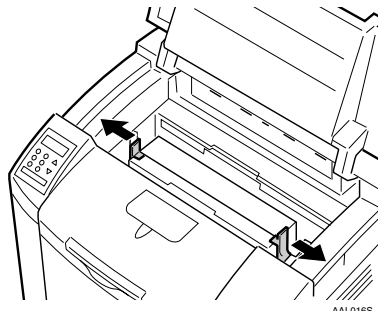


AAL015S

### Important

- When inserting the photo conductor unit, be careful not to touch or damage the surface.

- 5** Turn the left and right locking levers (green) to the outside to lock the photo conductor unit into position.



AAL016S

- 6** Press the center of the top cover firmly until it locks into position.

## 5

### INSTALLING THE PAPER TRAY

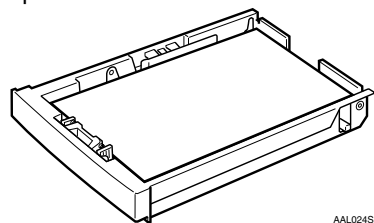
#### Caution

- The paper tray does not have a stopper. When pulling it out, be careful not to pull it strongly. If you do, the tray might fall and cause personal injury.

The following procedure describes how to load paper. For more information about the paper sizes that can be set in the paper tray, see "Paper and Other Media Supported by This Printer", Maintenance Guide.

- 1** Pull the paper tray out slowly. Place it on a flat surface.

- 2** Load paper into the paper tray, with the print side up.



AAL024S

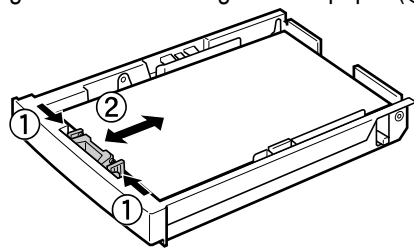
### Important

- Make sure that the top of the stack is not higher than the limit mark inside the tray.
- Do not load different kinds of paper in the tray.

#### Note

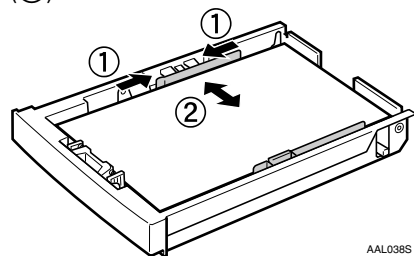
- If you set a custom paper size, you should enter the paper size with the printer's control panel. For more information, see "Loading Paper in the Paper Tray", Maintenance Guide.

- 3** Make sure there is no space between the front guide and the paper. If there is a gap, pinch both front guide ends inward (1), and move the front guide till it is flush against the paper (2).



AAL027S

- 4** Make sure there is no space between the side guides and the paper. If there is a gap, pinch the levers on both ends inward (1), and move the side guides till they are flush against the paper (2).



AAL028S

- 5** Install the paper tray by pushing it in until it clicks into place.

### Important

- Be sure to insert the paper tray completely. Otherwise, misfeeds might occur, or the front cover might touch the paper tray.

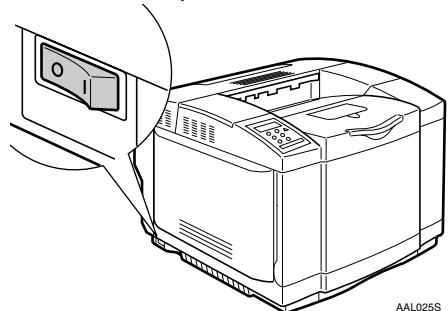
## 6

### CONNECTING THE POWER CORD

#### Caution

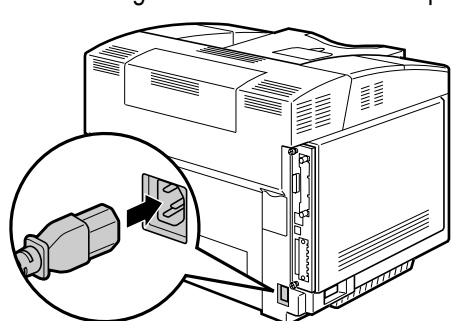
- When you pull the plug out of the socket, grip the plug to avoid damaging the cord and causing a fire or an electric shock.
- It is dangerous to handle the plug with wet hands. Doing this may result in receiving an electric shock.

- 1** Check that the power switch is turned off.



AAL025S

- 2** Connect the power cord to the power connector in the lower right corner on the back of the printer.



AAL026S

- 3** Plug the other end securely into the wall outlet.

## 7

### SELECTING THE PANEL DISPLAY LANGUAGE

Follow the procedure below to select a language.

#### Note

- You can select one of the following languages: English, German, French, Italian, Dutch, Swedish, Norwegian, Danish, Spanish, Finnish, or Portuguese.
- The default setting is English.
- If you want to use the English panel display, it is not necessary for you to do the following procedures.

- 1** Turn on the printer.

The initial adjustment is executed in about 20 seconds. During the initial adjustment, the message "Warming Up..." is displayed. After the printer warms up, the ready message appears on the panel display.

- 2** Press the [Menu] key.

The following message appears on the panel display.

Menu:  
Paper Input

- 3** Press the [▲] or [▼] key to display "Language".

Menu:  
Language

- 4** Press the [# Enter] key.

The following message appears on the panel display.

Language:  
\*English

- 5** Press the [▲] or [▼] key until the language you want to select appears on the panel display.

- 6** Press the [# Enter] key.

- 7** Press the [On Line ↔] key. The On Line indicator is lit.

## 8

### PRINTING THE TEST PAGE

You can check if the printer works properly by printing a test page such as the configuration page. However, you cannot check the connection between the printer and the computer by printing the test page.

- 1** Turn on the printer.

- 2** Press the [Menu] key.

The following message appears on the panel display.

Menu:  
Paper Input

- 3** Press the [▼] or [▲] key to display "List/Test Print", and then press the [# Enter] key.

Menu:  
List/Test Print

- 4** Press the [# Enter] key.

The following message appears on the panel display.

List/Test Print:  
Config.P/Er.Log

- 5** Press the [▲] or [▼] key until the following message appears on the panel display.

List/Test Print:  
Config. Page

- 6** Press the [# Enter] key.

The test printing will start.

### Important

- When printing cannot be performed normally, paper misfeeds occur, or printing results are unsatisfactory, check whether an error message is displayed on the control panel. For more information about error messages, see "Troubleshooting", Maintenance Guide.

- 7** Press the [On Line ↔] key.

## 9

### CONNECTING THE PRINTER TO A COMPUTER

- Network interface cable

See "Network connection"

- Parallel cable

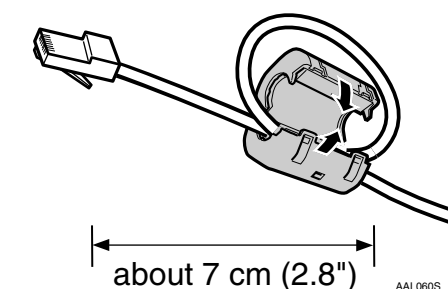
See "Parallel Connection"

- USB interface cable

See "USB Connection"

### Network Connection

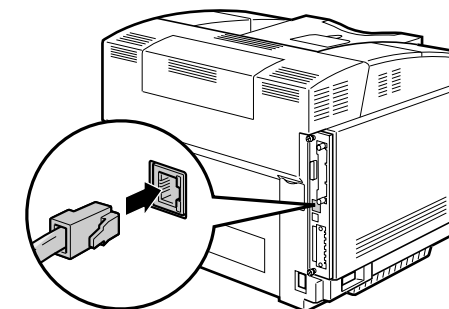
- 1** A core for the Ethernet cable is supplied with this machine. Make a loop about 7 cm (2.8") from one connector of the Ethernet cable, as shown below, and then attach the core.



about 7 cm (2.8")

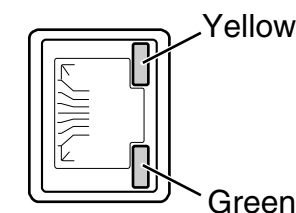
AAL030S

- 2** Connect the core end of the Ethernet cable to the connector at the back of the printer and connect the other end to a network device, such as a hub.



AAL029S

- 3** Check the LEDs on the Ethernet port.



AAL031S

#### Note

- The LEDs yellow during 100BASE-TX operation, and unlit during 10BASE-T operation.
- The LEDs green when correctly connected to the network.

- 4** Make the printer network settings from the Control Panel.

See "Configuring the Printer for the Network", Administrator Reference.

### Parallel Connection

#### Important

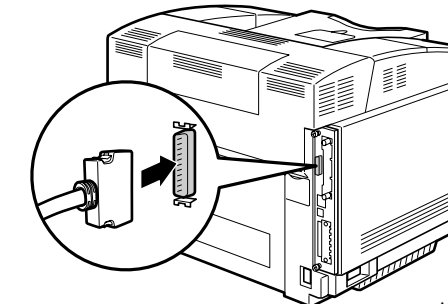
- The interface cable and a parallel interface adapter are not supplied separately, according to the computer being used.
- The printer's parallel connection is a standard bi-directional interface. It requires a standard IEEE compliant 36-pin parallel cable and an available parallel port on your computer.
- To avoid electrical interference, use a shielded cable.

#### Note

- Do not use a parallel cable longer than 2.5 meters (8.2 feet).

- 1** Turn off the printer and computer power.

- 2** Connect the parallel cable to the interface connector, and then connect the other end to the interface connector of the computer.



AAL031S

- 3** Turn on the printer and computer power.

- 4** Install the printer driver.

See Client Reference "Quick Install", in order to quickly install the printer driver.

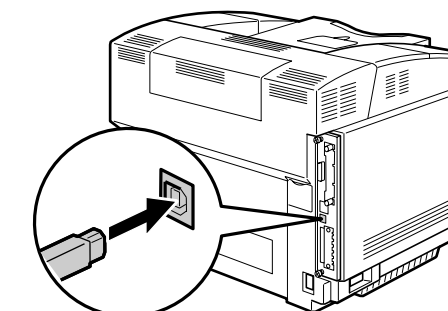
When you make detailed settings while installing the printer driver, use the Client Reference to refer to "Printing with Parallel Connection" listed in the chapter relating to the Windows version used.

### USB Connection

#### Important

- The USB interface cable is not supplied select it separately, according to the computer being used.
- USB connection is possible with Windows 98 SE/Me/2000/XP, Windows Server 2003, Mac OS 9.x and Mac OS X.
- USB connection with Macintosh is only possible via the printer's USB port. The support speed with Macintosh is equivalent to USB 1.1.

- 1** Connect the USB interface cable to the interface connector, and then connect the other end to the interface connector on the computer.



AAL032S

- 2** Install the printer driver.

When using Windows, see "Installing the Printer Driver Using USB", Client Reference listed in the chapter for the operating system used. When using Mac OS or Mac OS X, see "Mac OS Configuration", Client Reference.